

■Features

- High Luminous Super Flux Output
- Flat Standard Directivity
- Long Lifetime Operation
- Low Thermal Resistance
Superior Weather-Resistance
- UV Resistant Epoxy
- Water Clear Type

■Applications

- Automotive tail, stop, turn signal lamps and interior lighting
- Signage and channel letter
- Decoration and entertainment lighting
- Architectural lighting
- Other Lighting

■Absolute Maximum Rating

(Ta=25 °C)

| Item | Symbol | Value | Unit |
|----------------------------|------------------|------------|------|
| DC Forward Current | I _F | 50 | mA |
| Pulse Forward Current* | I _{FP} | 120 | mA |
| Reverse Voltage | V _R | 5 | V |
| Power Dissipation | P _D | 130 | mW |
| Operating Temperature | T _{opr} | -30 ~ +85 | |
| Storage Temperature | T _{stg} | -40 ~ +100 | |
| Lead Soldering Temperature | T _{sol} | 260 /5sec | - |

*Pulse width Max.10ms Duty ratio max 1/10

■Electrical -Optical Characteristics

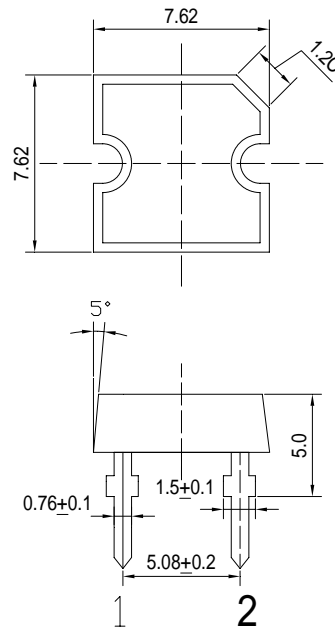
(Ta=25 °C)

| Item | Symbol | Condition | Min. | Typ. | Max. | Unit |
|---------------------|-------------------|----------------------|------|------|------|------|
| DC Forward Voltage | V _F | I _F =50mA | 1.8 | 2.1 | 2.6 | V |
| DC Reverse Current | I _R | V _R =5V | - | - | 10 | μA |
| Domi. Wavelength* | λ _D | I _F =50mA | 585 | 590 | 595 | nm |
| Luminous Intensity* | I _v | I _F =50mA | 750 | 1000 | - | mcd |
| 50% Power Angle | 2θ _{1/2} | I _F =50mA | - | 180 | - | deg |

*1 Tolerance of dominant wavelength is ±1nm

*2 Tolerance of luminous intensity is ±15%

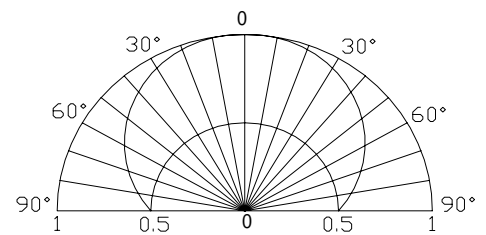
■Outline Dimension



Unit:mm
Tolerance:±0.3mm

1,4 Cathode
2,3 Anode

■Directivity



■Maximum Forward Current

